



CLOUD CONNECT ADVANCED

ADVANCED COMMUNICATIONS AND COMPACT SIZE

- Cloud Connect Advanced (CCA) is one of the smallest communication data loggers on the market.
- Connects smart modules to the Cloud and the Tigo Smart Monitoring software.
- Enables module level disconnect, on-site and remote configuration through Tigo's mobile app.
- Comes with RS-485 port software and hardware for robust third party compatibility: read and report data from inverters from Modbus equipped inverters, charge controllers, weather stations, smart combiner boxes, and revenue grade meters.
See list of supported devices: <https://support.tigoenergy.com/hc/en-us>
- Equipped with Tigo Smart OS, able to support custom applications through extensive APIs.

INTERNET CONNECTION

Internet connection via Ethernet, Wi-Fi, or optional cellular* connectivity built in.

MOBILE APP SET UP AND ACCESS

Configure the CCA with the Tigo SMART App.
The Wi-Fi capabilities of the CCA provide direct access and straightforward commissioning.

COST EFFECTIVE

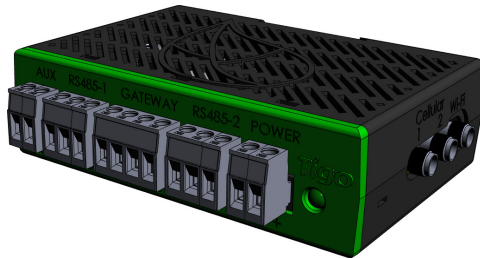
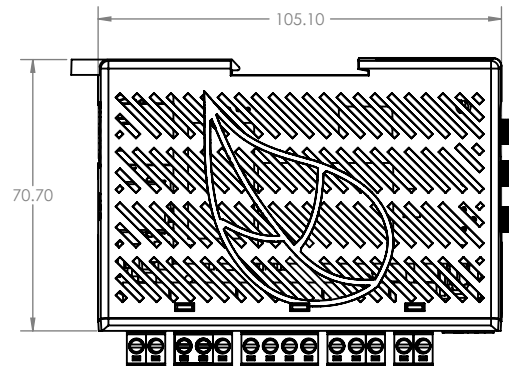
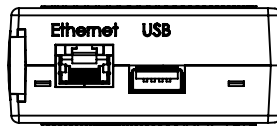
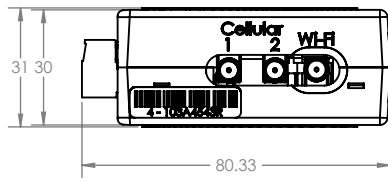
Advanced technologies make the CCA cost-effective for large scale deployment.

APPLICATION PLATFORM

Tigo® Smart OS allows third parties to develop and deploy apps to the Cloud Connect through the Tigo® app store.



*Available only for the US market



Electrical

CCA Consumption

Input Voltage: 6VDC - 25VDC (12VDC minimum when using Gateways. 24VDC for 2+ Gateways)

Input Current: 1.8 A Maximum (internally protected and self resetting)

Power Consumption: Typical (with 1 GW): Less than 3W. Max. 16W

0.5W for each added Gateway

5W Max for cellular option

Available ports

RS485-1 AND RS485-2 for Inverter/AC Meter/MODBUS/etc...

Aux. Switch - Digital I/O

USB 2.0, output 5W, 1A

Power supply

Input voltage: 100-240VAC, 50-60 Hz

Form factor options: DIN Rail (part number:344-00000-00) OR Socket (Part number:344-00000-10)

Capacity

Each Cloud Connect Supports up to 360 PV Modules. For more options visit: <https://support.tigoenergy.com/hc/en-us/articles/201998767>

Internet Connectivity Options

Ethernet Interface: 10/100-BaseT with Straight-Through or Crossover cable detection.

Wireless Interface: Wi-Fi, IEEE 802.11 b/g/n 2.4 GHz

One Wi-Fi Antenna: 2.4-2.5 GHz, 50Ω (RP-SMA plug, Female)

Cellular Modem: Verizon LTE (USA ONLY. Optional, sold separately)

Two LTE Antennas: 2.4-2.5 GHz, 50Ω (SMA plug, Male)

Mechanicals

DIN Rail, mountable enclosure

Dimensions (with housing, no antennas, WxHxD): 31mm X 115.51mm x 71.54mm (1.22" X 4.55" X 2.82")

Weight (CCA + Housing): 126g / 0.278 lb.

Weight (CCA + Housing + Modem): 0.158 kg / 0.348 lb.

Operating Temperature Range -20°C to +70°C (-4° to 158°F)

Cooling: Natural Convection – No Fans

User Interface

Mobile App: iOS and Android (connected via Wi-Fi directly to CCA) <https://support.tigoenergy.com/hc/en-us/articles/204899957>

Multi-function LED indicator: (Red/Green/Orange). View Guide here: <https://support.tigoenergy.com/hc/en-us/articles/204899957>

For supported protocols and devices, see: <https://support.tigoenergy.com/hc/en-us/sections/200408647>



For ordering information

Contact: sales@tigoenergy.com

Or call: 1.408.402.0802

For more information about Tigo products:

Go to www.tigoenergy.com/products

